

Product information

Top-operated centre-pivot pine roof window GZL 1050



Product description

- High quality natural pinewood coated with impregnation and layers of clear water-based acrylic lacquer
- Top control bar for easy operation even with furniture under the window
- Integrated ventilation in top control bar and cleanable dust and insect filter
- Maintenance-free exterior covers

Roof pitch

- Can be installed in roof pitches between 15° and 90°

Materials

- Laminated pinewood
- Float glass (inner glass pane)
- Toughened glass (outer glass pane)
- Lacquered aluminium

Downloads

For installation instructions, CAD drawings, 3D BIM objects, 3D GDL objects etc, please visit velux.nn.

Certifications



The VELUX product factories guarantee quality systems implementation process and environmental management systems through appropriate accreditations ISO 9001 and ISO 14001

EUTR In compliance with the EU Timber Regulation (EUTR), EU regulation 995/2010

REACH We are aware of the REACH regulation and acknowledge the obligations. No products are obliged to be registered in accordance to REACH and none of our products contain any Substances of Very High Concern.

Available sizes and daylight area

| | | | | | | | |
|---------|--------|--------------------|--------------------|--------------------|--------------------|--------------------|---------|
| | 472 mm | 550 mm | 660 mm | 780 mm | 942 mm | 1140 mm | 1340 mm |
| 778 mm | | GZL CK02 (0.22) | | | | | |
| 978 mm | | GZL CK04 (0.29) | GZL FK04 (0.38) | GZL MK04 (0.47) | | | |
| 1178 mm | | | GZL FK06 (0.47) | GZL MK06 (0.59) | GZL PK06 (0.75) | GZL SK06 (0.95) | |
| 1398 mm | | | GZL FK08 (0.58) | GZL MK08 (0.72) | GZL PK08 (0.92) | GZL SK08 (1.16) | |
| 1600 mm | | | | GZL MK10 (0.85) | | | |

Lining measurements

| Size | Width (mm) |
|------|------------|
| CK-- | 495 |
| FK-- | 605 |
| MK-- | 725 |
| PK-- | 887 |
| SK-- | 1085 |

| Size | Height (mm) |
|------|-------------|
| --02 | 719 |
| --04 | 919 |
| --06 | 1119 |
| --08 | 1339 |
| --10 | 1549 |

() = Effective daylight area, m²

Low installation height
- Top operation recommended

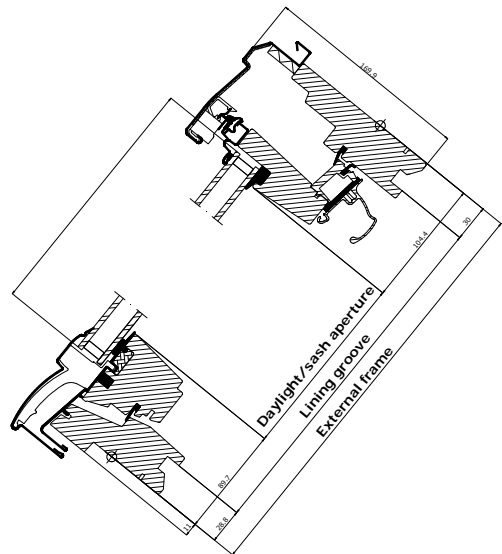
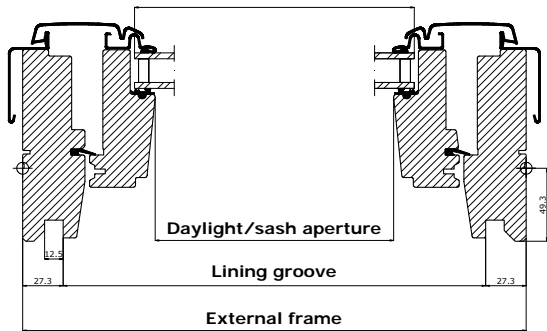
Solutions with best possible view, operation and flexibility. For any roof pitch (15°-90°)

Top-operated centre-pivot roof windows make it possible to place furniture directly below the window without obstructing operation of the window.

Try to allow for a clear view when standing and when seated. Note that the optimum window height depends on the roof pitch.

Width

Height



| Technical values | Glazing structure |
|------------------|-------------------|
|------------------|-------------------|

| | --50 |
|---|------|
| U_w [W/m²K] | 1.4 |
| U_g [W/m²K] | 1.1 |
| R_w [dB] | 29 |
| g [] | 0.66 |
| τ_v [] | 0.80 |
| τ_{uv} [] | 0.32 |
| Air permeability [class] | 3 |

| | --50 |
|--------------------------|-------------------------------|
| Inner glass pane | 4 mm float with low ε coating |
| Middle glass pane | - |
| Outer glass pane | 4 mm toughened |
| Cavity | 16 mm |
| Glass panes | Double |
| Gas filling | Argon |

Thermal improvements such as lower U-value (U_w) and lower linear heat loss coefficient (g) can be obtained with frame insulation collar and recessed installation.

| Technical values, ventilation through open top control bar | | | | | |
|--|--|--|--|--|--|
|--|--|--|--|--|--|

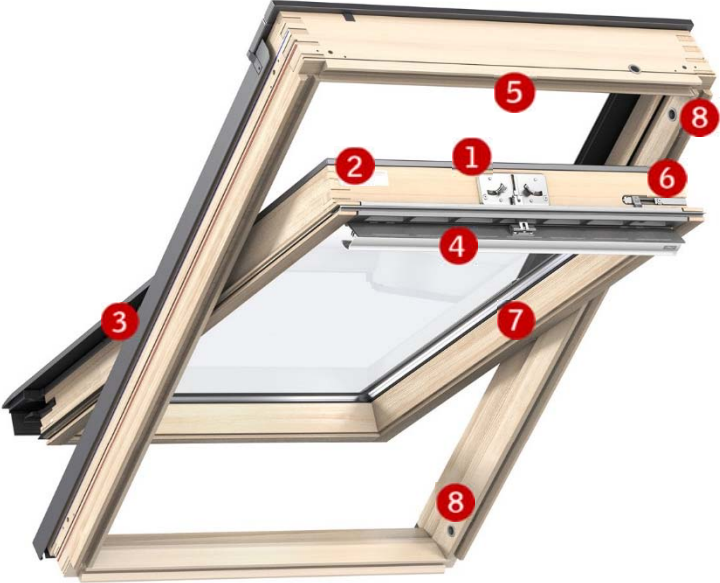
| Property | Width | | | | |
|---|-------|------|------|------|------|
| | CK-- | FK-- | MK-- | PK-- | SK-- |
| Air flow characteristics [l/s] | 1.9 | 2.3 | 2.8 | 3.4 | 4.1 |
| Air flow exponent [-] | 0.53 | 0.53 | 0.53 | 0.53 | 0.53 |
| Ventilation capacity at 4 Pa [l/s] | 4.0 | 4.8 | 5.8 | 7.1 | 8.5 |
| Ventilation capacity at 8 Pa [l/s] | 5.7 | 6.9 | 8.4 | 10.2 | 12.3 |
| Ventilation capacity at 10 Pa [l/s] | 6.4 | 7.8 | 9.5 | 11.5 | 13.9 |
| Ventilation capacity at 20 Pa [l/s] | 9.3 | 11.3 | 13.7 | 16.6 | 20.1 |
| Equivalent area, open top control bar [mm²] | 2600 | 3100 | 3700 | 4600 | 5600 |
| Geometrical free area [mm²] | 2800 | 3700 | 4500 | 6100 | 7200 |

Glazing features

| | | --50 |
|--|---|------|
| | Heat insulation Low energy glazing provides reduced heat loss through the window and enhanced indoor comfort. | ● |
| | Solar gain In the wintertime, the heat from the sun entering through the windows is a usable solar gain. | ●●● |
| | Solar protection In warm climates and in rooms with large window areas, a sun protective coating provides a better indoor climate during summer periods. Alternatively, exterior sunscreening can be installed. | |
| | Sound insulation A combination of laminated glass and optimal glass thickness provides better sound insulation. Frame/sash construction and gaskets are equally important. | ● |
| | Security Thicker laminated inner glass pane designed to increase resistance to manual attack (burglary). | |
| | Energy balance The energy balance represents the ability of the roof window to utilise the passive solar gain and keep in the heat during winter and its ability to protect against the risk of overheating during summer. Sunscreening products can further improve indoor summer comfort. | ✓ |
| | Safety Laminated inner glass is designed to hold the fragments together if the glass breaks. We recommend that you consider using glass units with laminated glass on the inside for windows placed above areas where people sleep, play or work. | |
| | Outside strength Toughened outer glass pane makes your glazing more resistant to hail, heavy wind and snow loads. | ✓ |
| | Delayed fading of materials Inner laminated glass protects materials behind the glass against UV radiation and therefore delays fading of the materials. | |

● Good ●● Better ●●● Best ✓ Feature included in glazing variant

Visible features



1 Lock casing

- electro-galvanised steel
- colour: "silver"



2 Data plate

- window type, size and variant code
- CE marking
- production code
- QR code



3 Click-on covers

- lacquered aluminium



4 Top control bar with integrated ventilation

- anodised aluminium



5 Dust and insect filter

- cleanable



6 Barrel bolt

- plastic
- colour: grey
- steel
- colour: "silver"
- icon with ventilation/cleaning position



7 Hinges with friction

- electro-galvanised steel
- colour: "silver"



8 Barrel bolt bushings

- plastic
- colour: grey

Cleaning and maintenance



To clean the outer pane from the inside, rotate sash and secure in cleaning position with barrel bolt.



VELUX repair and maintenance kits are available.

Exterior covers

| Material | NCS standard colour | RAL nearest standard colour |
|---------------------------------|---------------------|-----------------------------|
| Lacquered aluminium (-0--) grey | S 7500-N | 7043 |

Interior finish

| | |
|---------------|--|
| Clear lacquer | Impregnation and layers of water-based acrylic lacquer |
|---------------|--|

Blinds, awnings and shutters



Interior sun screening

- Blackout blind ●●●
- Roller blind ●●●
- Pleated blind ●●
- Flying pleated blind ●
- Double pleated energy blind ●●
- Venetian blind ●●
- Duo blackout blind ●



Exterior sun screening

- Awning blind ●●●
- Roller shutter ●●●



Additional accessories

- Insect roller screen ●

- Available in manual and mains/solar powered versions
- Available in manual and mains powered versions
- Available in manual version

The mains and solar powered versions are part of the VELUX INTEGRA® product range.

Flashings and installation products



Flashings:

- ED- for single installation
- EB- for twin installation
- EK- for combi installation

Available for both standard and recessed installation

Installation products:

- Installation set BDX 2000
- Underfelt collar BFX 1000 incl transverse drainage gutter
- Vapour barrier collar BBX 0000
- Linings LS-
- Kit for lining LSG 1000

Control options



VELUX INTEGRA®

- Easy upgrade to remote control with window operator KMG 100K and control system KUX 110



- Telescopic rod

Note

We reserve the right to make technical changes.

For more information on roof window GZL 1050 and other VELUX products, please visit velux.nl.